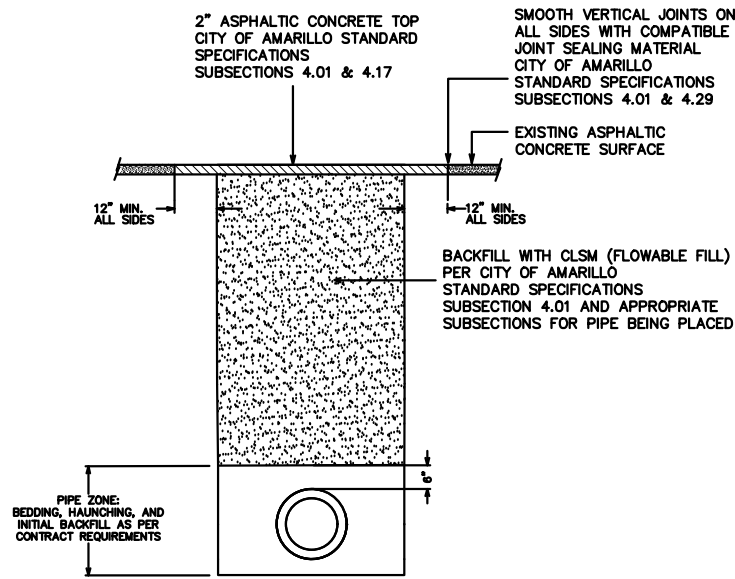
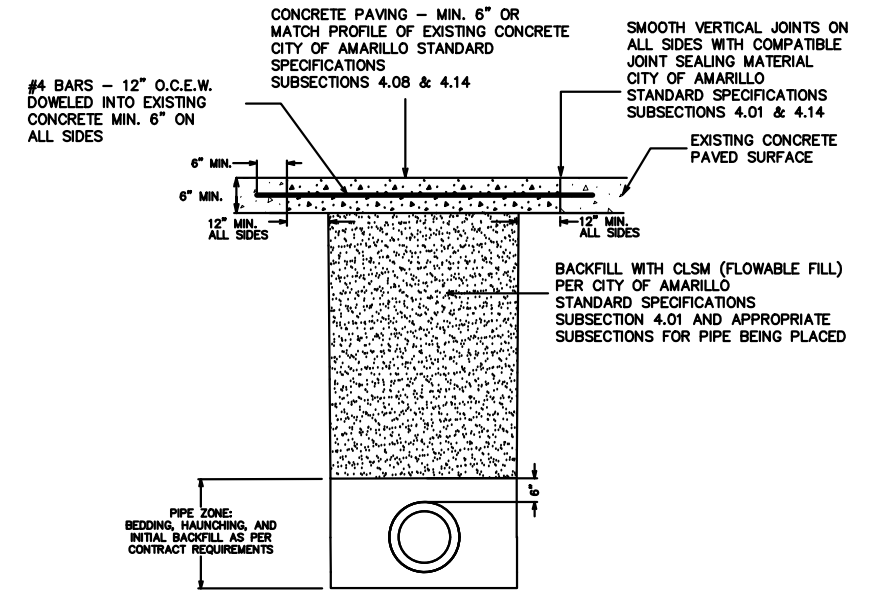


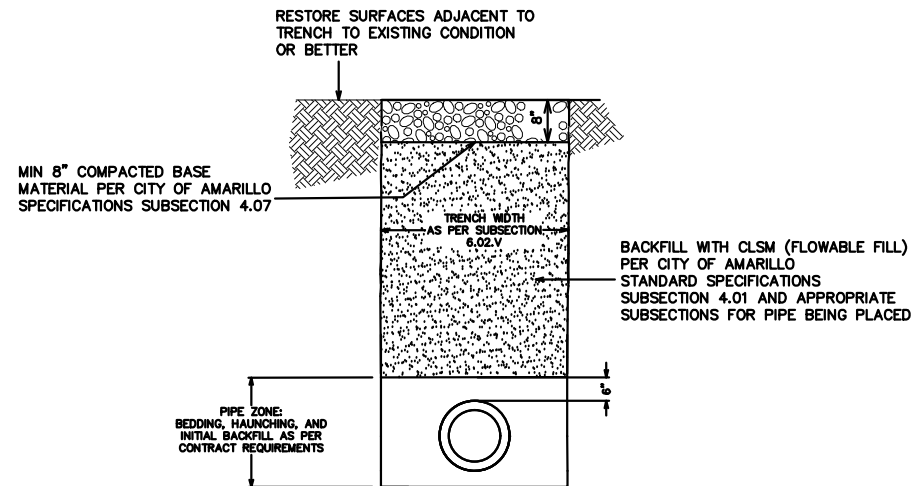
UTILITY TRENCH AND
SURFACE RESTORATION DETAIL
ARTERIAL & COLLECTOR STREETS



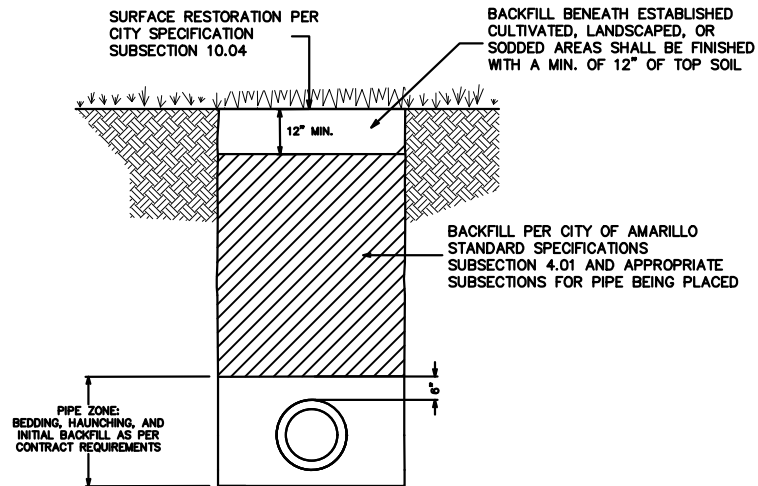
UTILITY TRENCH AND
SURFACE RESTORATION DETAIL
RESIDENTIAL STREETS AND ALLEYS



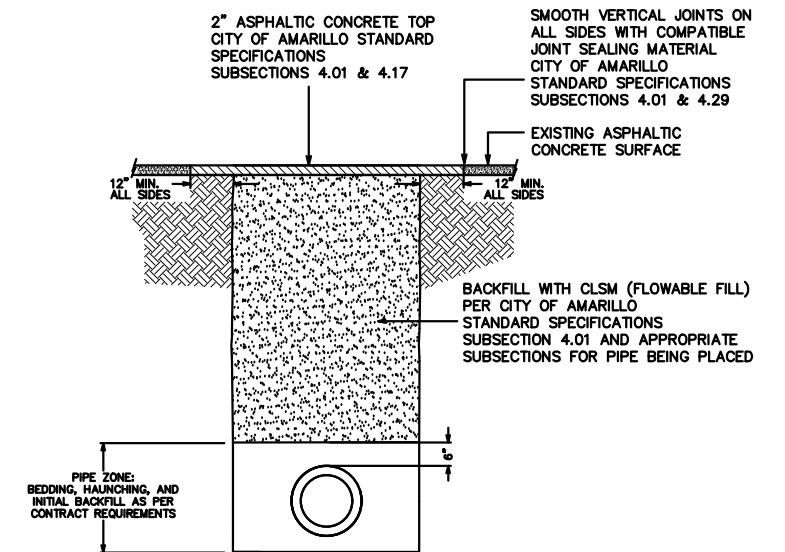
UTILITY TRENCH AND
SURFACE RESTORATION DETAIL
CONCRETE PAVING



UTILITY TRENCH AND
SURFACE RESTORATION DETAIL
IMPROVED ALLEY



UTILITY TRENCH AND
SURFACE RESTORATION DETAIL
NATURAL GROUND



UTILITY TRENCH AND
SURFACE RESTORATION DETAIL
PAVEMENT OTHER THAN ROW

STANDARD DETAIL SHEET SURFACE RESTORATION OF UTILITY CUTS			
DRAWN BY:	T. WYER		
APPROVED BY:	MATT THOMAS		
PATH:	K:/CAD/URI/Standards/Surface Restoration Detail 2017.dgn		
HORZ. SCALE	NONE	DATE	1/15/21
VERT. SCALE		SHEET	
W.O. NO.			SD-SR-1

